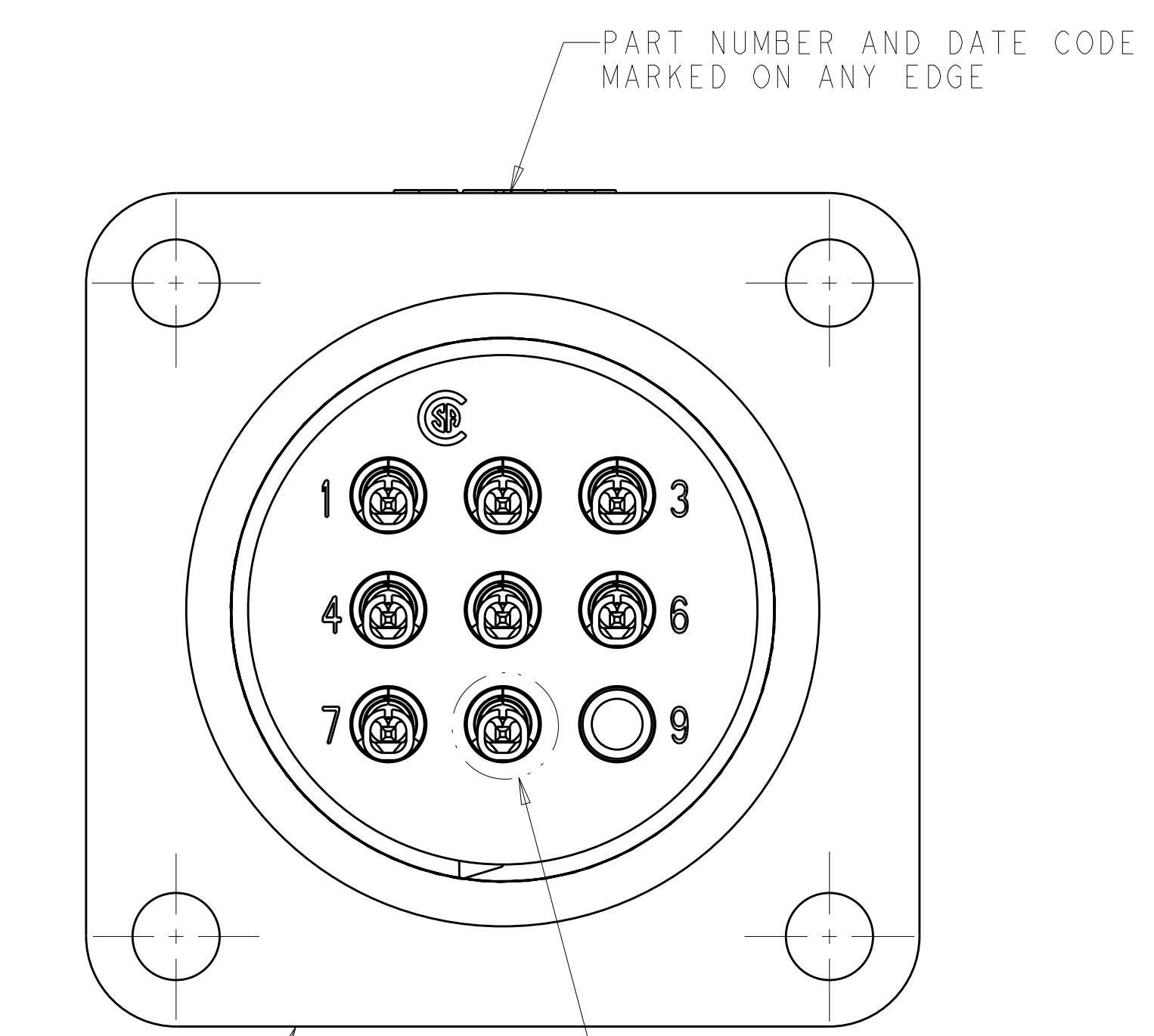
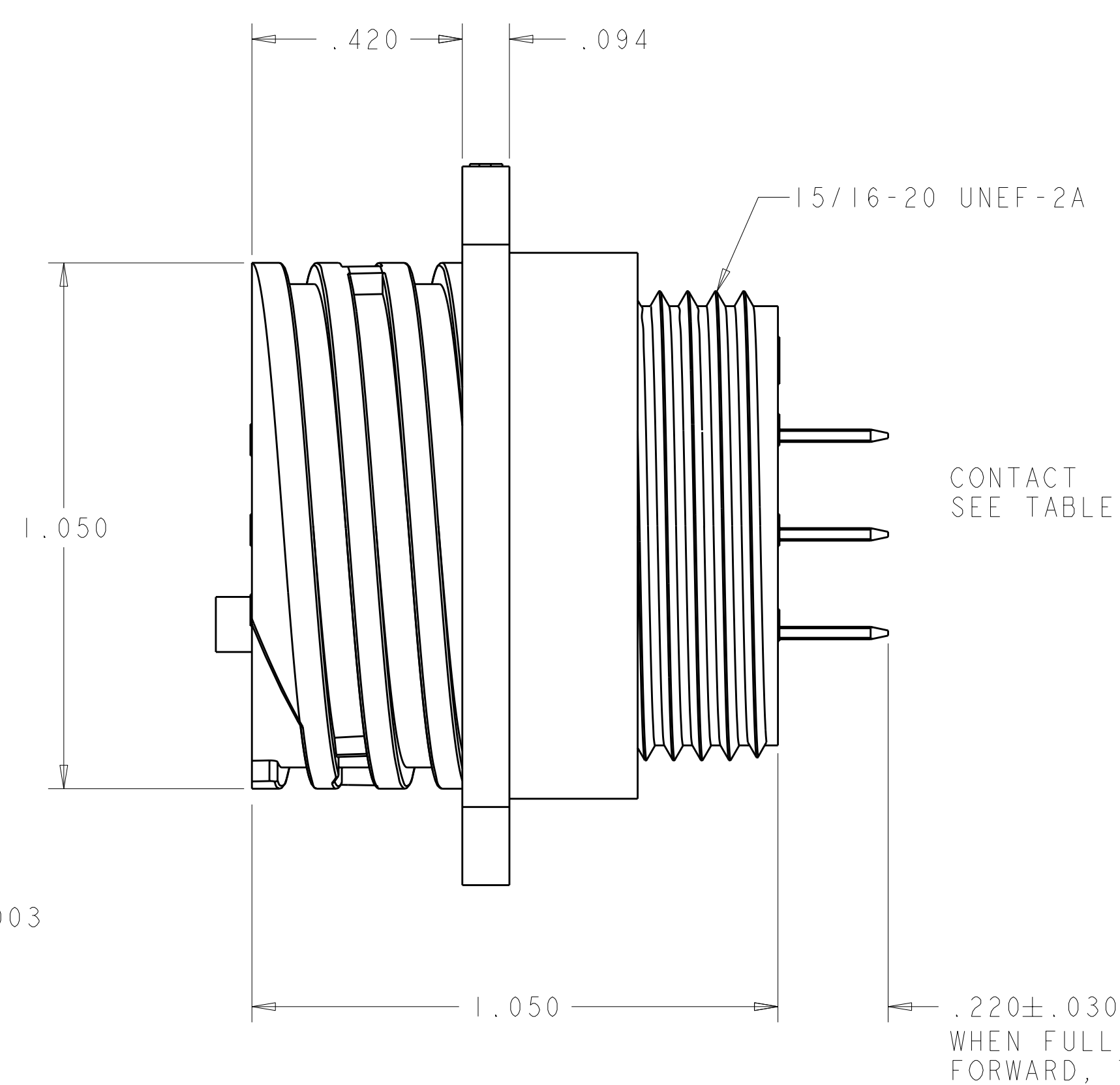
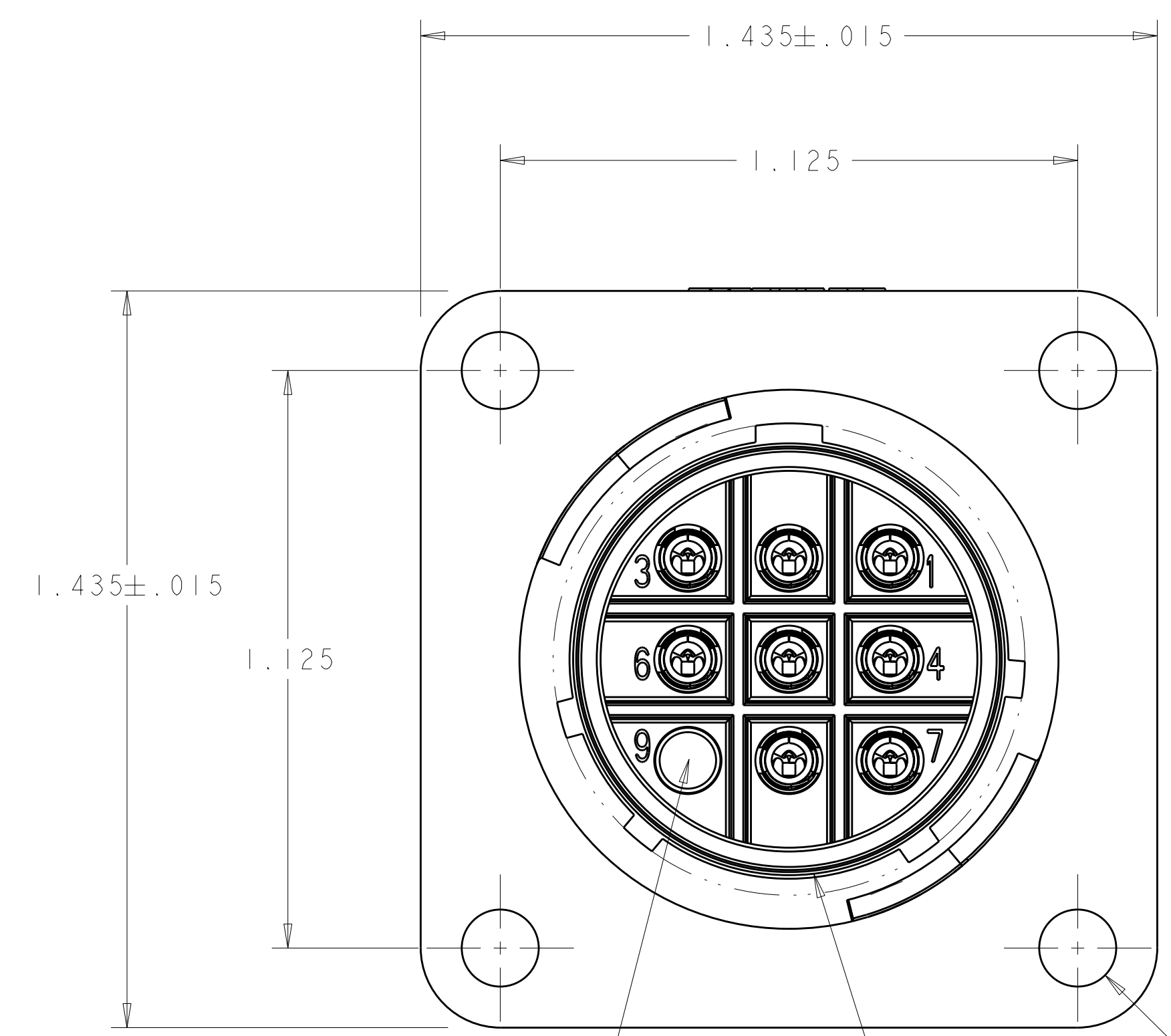
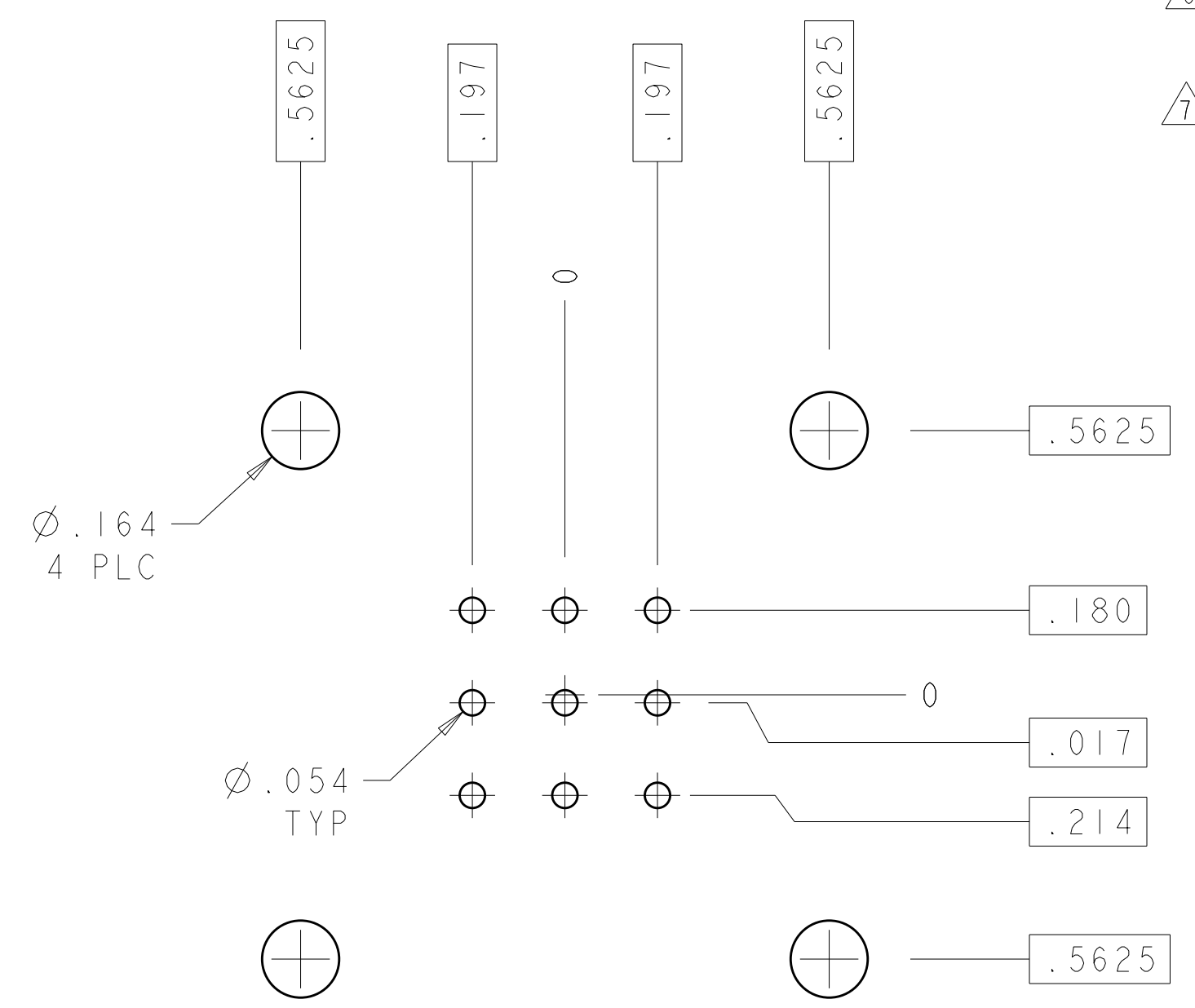
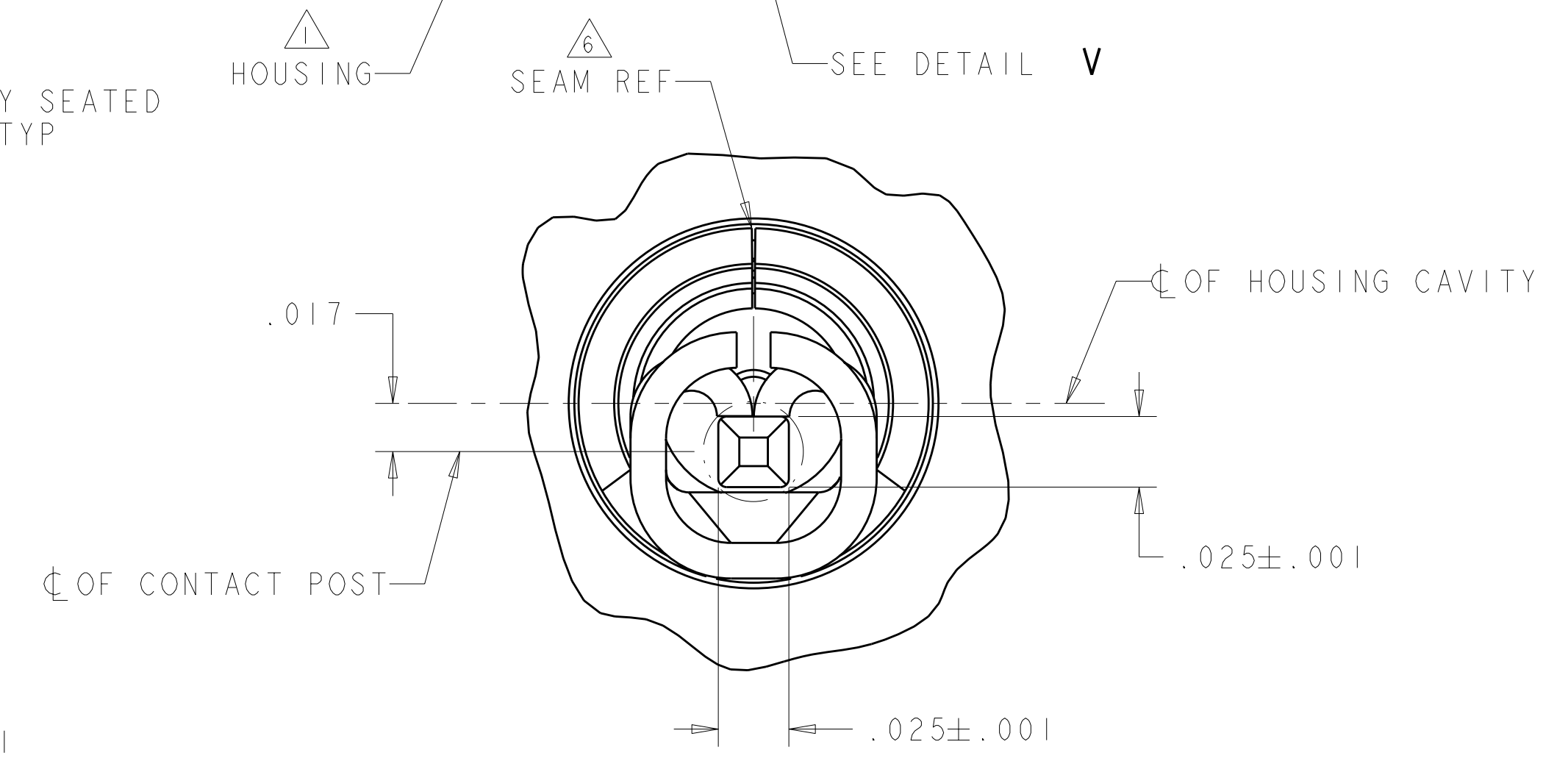


LOC	DIST	REV	DATE	BY	CHKD	APPD
FT	0					
P		1-2, 1-3	ECO-06-002610	15FEB2006	SW	SH
P			REVISED PER ECO-09-025699	12DEC2009	WK	AEG

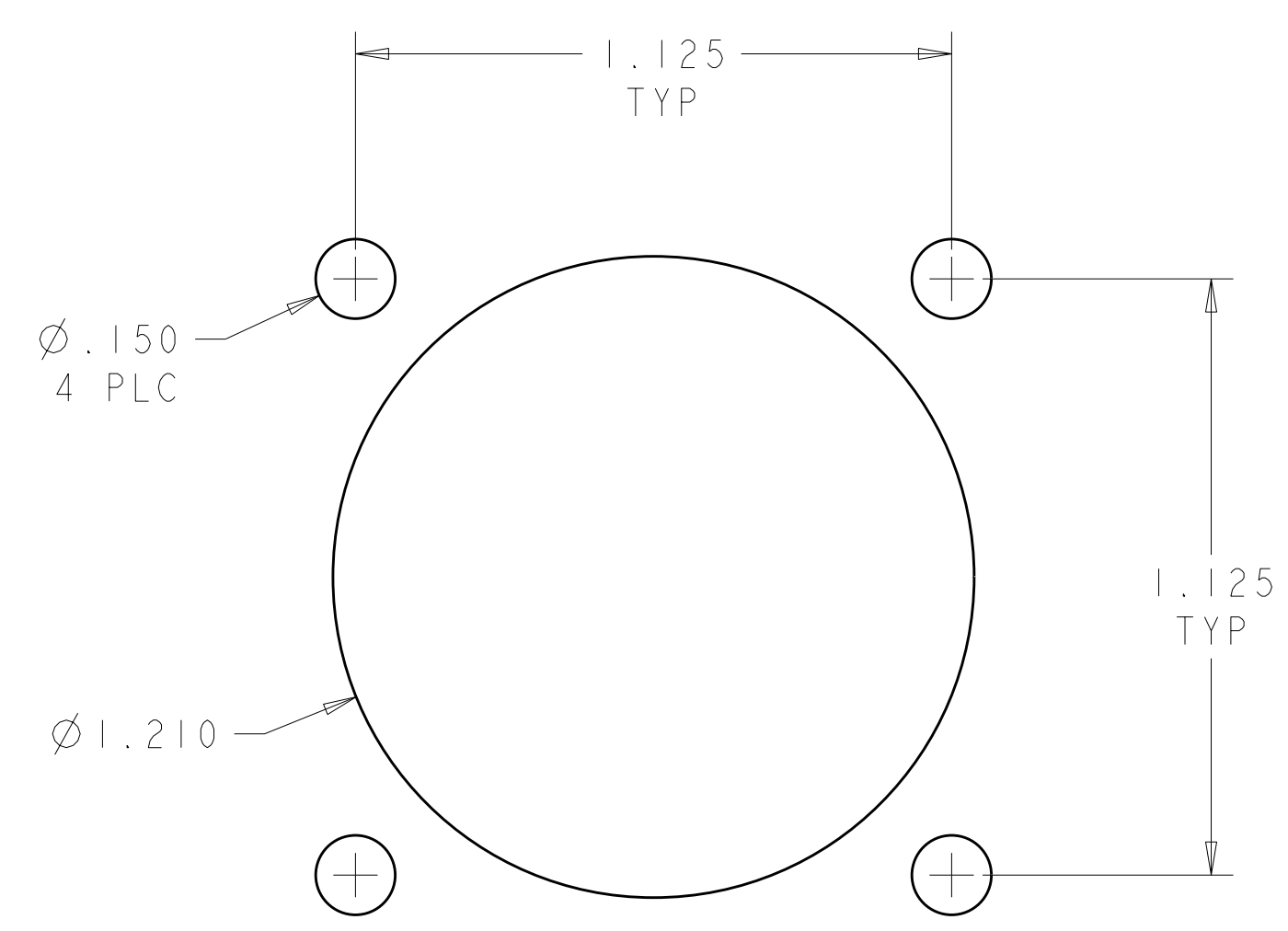


KEYING PLUG SEE TABLE  
 PERIPHERAL SEAL  
 Ø .150±.003  
 4 PLC

- △ HOUSING: NYLON, UL 94 V-0 RATED, BLACK.
- △ CONTACT:  
 BODY - BRASS, .000100 MIN TIN-LEAD OVER .000050 MIN NICKEL.  
 POST - BRASS, .000100 MIN TIN-LEAD OVER .000050 MIN NICKEL.
- △ CONTACT:  
 BODY - BRASS, .000100 MIN TIN OVER .000050 MIN NICKEL.  
 POST - BRASS, .000100 MIN TIN OVER .000050 MIN NICKEL.
- △ PERIPHERAL SEAL: ELASTOMER, GRAY.
- △ KEYING PLUG: NYLON, NATURAL.
- △ .009 MAXIMUM CONTACT LEAD-IN SEAM GAP PERMISSIBLE ON MATING FACE END.
- △ OBSOLETE PARTS: OBSOLETE CIS STREAMLINING PER D.RENAUD/D.SINISI



RECOMMENDED PC BOARD LAYOUT  
 SCALE 3:1



RECOMMENDED PANEL LAYOUT  
 .125 MAX PANEL THICKNESS  
 SCALE 3:1

△	POSN 9	YES	△	8	1-8	1-213826-3
△	-	YES	△	8	1-5, 7-9	1-213826-2
△	-	YES	△	9	ALL	1-213826-1
△	POSN 9	YES	△	8	1-8	1-213826-0
△	-	YES	△	8	1-5, 7-9	213826-9
△	POSN 9	YES	△	8	1-8	213826-8
△	-	YES	△	8	1-5, 7-9	213826-7
△	POSN 9	YES	△	8	1-8	213826-3
△	-	YES	△	8	1-5, 7-9	213826-2
△	-	YES	△	9	ALL	213826-1
	KEYING PLUG		FINISH	QTY	SELECT LOAD IN POSITIONS	PART NUMBER

DIMENSIONS: INCHES		TOLERANCES UNLESS OTHERWISE SPECIFIED:		DWN S. WELDON 23MAY2003		Tyco Electronics Harrisburg, PA 17105-3608	
9 PLC	±	9 PLC	±0.0	CHK S. HEADER 23MAY2003	NAME RECEPTACLE ASSEMBLY, POSTED, REVERSE SEX, SERIES 1, 17-9, CPC		
5 PLC	±0.00	5 PLC	±0.010	APPD S. HEADER 23MAY2003	PRODUCT SPEC 108-10024		
4 PLC	±0.0000	4 PLC	±0.0000	APPLICATION SPEC 114-10004			
ANGLES	±	MATERIAL		WEIGHT		RESTRICTED TO	
				CUSTOMER DRAWING		SCALE 4:1 SHEET 1 OF 1 REV P I	